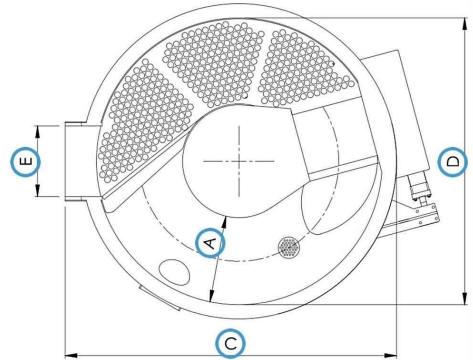
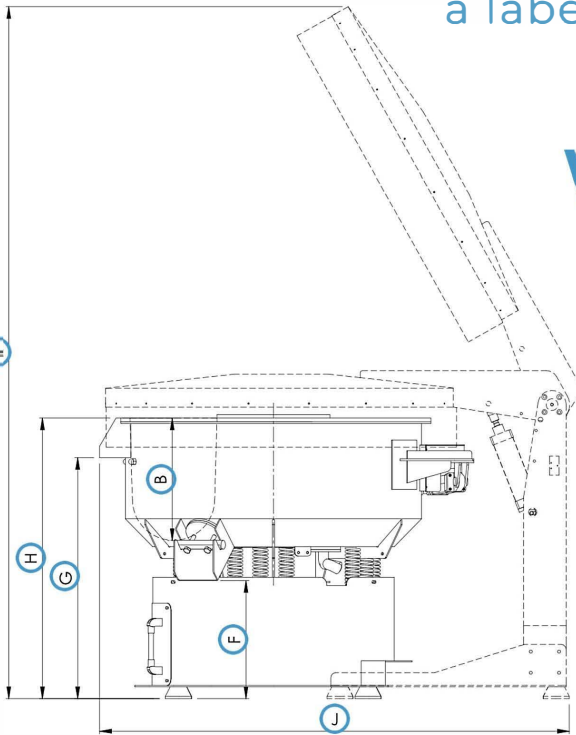


a label of atmh

## VKUE 100



Gesamtvolumen / Total volume	122	Lt
------------------------------	-----	----

Siebfläche / Sieve surface	0,18	m <sup>2</sup>
----------------------------	------	----------------

PU- Dicke / PU Thickness	15-25	mm
--------------------------	-------	----

Motorleistung / Engine power	0,64	Kw
------------------------------	------	----

Spannung / Voltage	380/50	V/Hz
--------------------	--------	------

Arbeitsgeschwindigkeit / Operating speed	1500	rpm
--	------	-----

Gesamtvolumen / Total volume	240	Kg
------------------------------	-----	----

A	220	mm
---	-----	----

B	350	mm
---	-----	----

C	920	mm
---	-----	----

D	800	mm
---	-----	----

E	200	mm
---	-----	----

F	480	mm
---	-----	----

G	800	mm
---	-----	----

H	930	mm
---	-----	----

J	1380	mm
---	------	----

K	2220	mm
---	------	----